

## DH-PFA100

### Hanging Mount Adapter



### Features

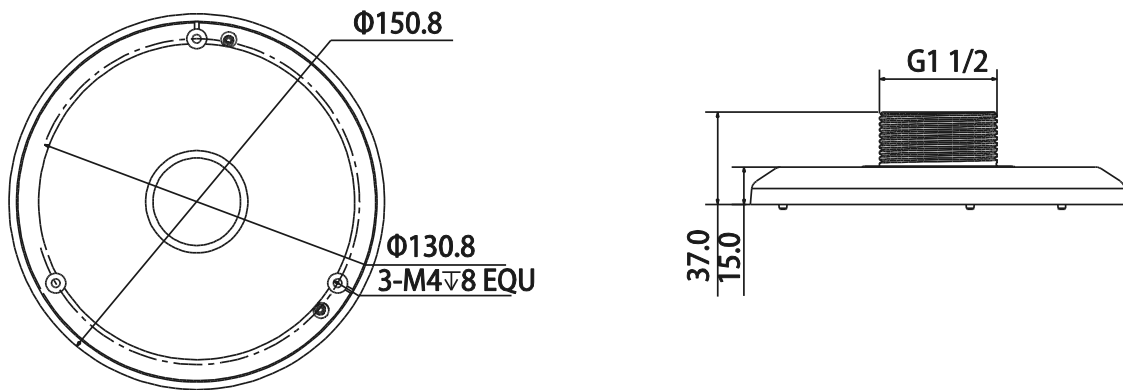
- Material: Aluminum
- Hanging Mount Adapter
- Neat & Integrated design

### Specifications

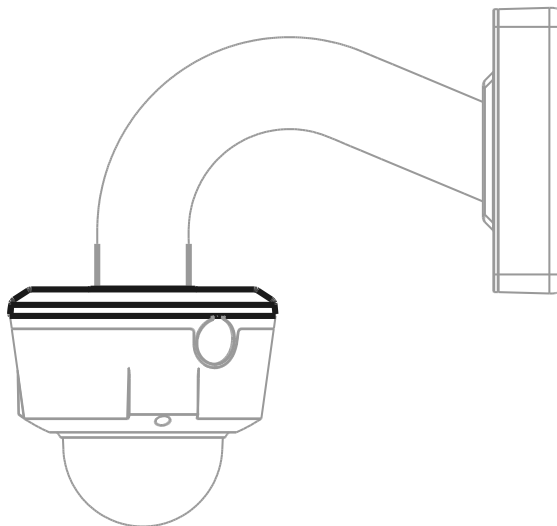
Model	DH-PFA100
<b>General</b>	
Material	Aluminum
Dimension (W x H x D)	Φ150.8mm x 37mm
Pipe Thread	1 1/2" PF
Operating Temperature	-40°C ~60°C
Humidity	0~90% RH
Load Bearing	N/A
Weight	0.2kg
Applicable Model	IPC-HDB[W]3100/3101/3200/3202/3301/5100/5200/5202

# DH-PFA100

## Dimensions (mm)



## Application



---

### Dahua Technology Co., Ltd.

1187 BinAn Road, Binjiang District, Hangzhou, China

Tel: +86-571-87688883

Fax: +86-571-87688815

Email: [overseas@dahuatech.com](mailto:overseas@dahuatech.com)

[www.dahuasecurity.com](http://www.dahuasecurity.com)

\*Design and specifications are subject to change without notice.

© 2013 Dahua Technology Co., Ltd.